



Your product line

AERYYS®

A smart bed
for healthcare
facilities

Your product line

AERYYS®





WINNCARE FRANCE medical beds, which are entirely **designed and manufactured in France**, are the product of over 40 years of expertise.

Every year, our production site in Vendée produces over **35 000** beds.



- 02** A LINE OF PRODUCTS tailored to your needs
- 04** Focus on the Aerys Comfort (100 cm)
- 06** Designed for the comfort and safety of the resident
- 07** Designed for caregivers
- 08** Personalize your bed

- 10** Safety and autonomy
- 12** Accessories
- 14** Technical details
- 16** Color charts and panels



The product line was designed to meet the requirements of three types of users:

- **Residents**, for their safety, comfort and well-being
- **Caregivers**, to protect them (musculoskeletal disorders) and optimize their work.
- **Maintenance**, so they may keep the bed in good working order.

Because we believe in preserving our residents' autonomy, we have created three beds that have the same functionalities, but different widths in order to meet all their needs.

We have designed our beds with great care; while they may have the appearance of hotel beds, they provide all the functionalities that medical beds need.





A LINE OF PRODUCTS TAILORED TO YOUR NEEDS



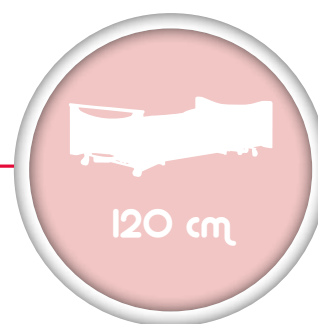
AERY'S[®]
STANDARD

For standard use



AERY'S[®]
CONFORT

Improving resident
comfort and safety



AERY'S[®]
XXL

Suitable for
residents weighing
up to 270 kg



AERYS[®] CONFORT

Testimony of an EHPAD director who equipped her 78-bed facility with Aerys Comfort beds in 2018.

Why did you choose a bed with 100 cm-wide base?

The people our facility is admitting are getting older. We want to make sure they stay autonomous for as long as possible. Coming from their own home where they were used to sleeping in “large” beds, having to switch to a 90 cm-wide bed is a real problem for our residents, many of whom are afraid to fall. The **Aerys Comfort** bed is a convincing alternative to this problem.

Why is it such an interesting alternative?

The main reasons are our residents' comfort and safety: since the bed is 10 cm wider, we no longer have to pull rails up. I would even add that by adding your Mobility Support Systems, we are helping preserve our residents' autonomy. This in turn frees up our caregivers from a number of transfer-related tasks.

Aside from the width of the Aerys Comfort, what other features do you like about this bed?

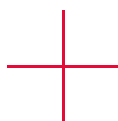
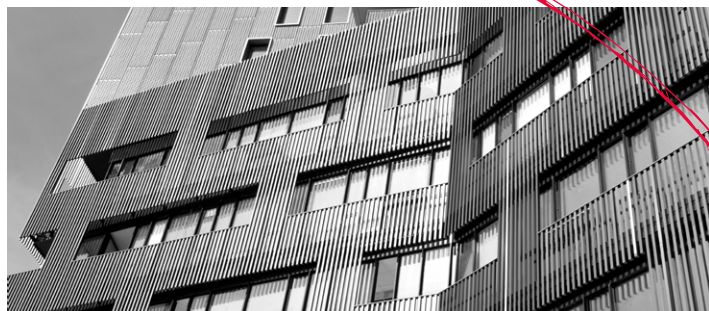
I like the bed as a whole because it has allowed us to successfully maintain our residents' autonomy with such features as being able to program its height, which makes getting in and out of bed a much safer proposition. The under-bed clearance makes it easier and quicker to clean the room. Finally, residents and caregivers alike appreciate the one-button control to switch to a sitting position. Personally, I think that the **Aerys Comfort**'s most important contribution is the satisfaction it provides to both residents and caregivers.





THE FUNCTION OF THE MEDICAL BED IN EHPADS HAS CHANGED CONSIDERABLY IN RECENT YEARS

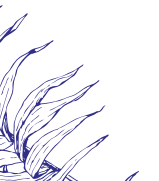
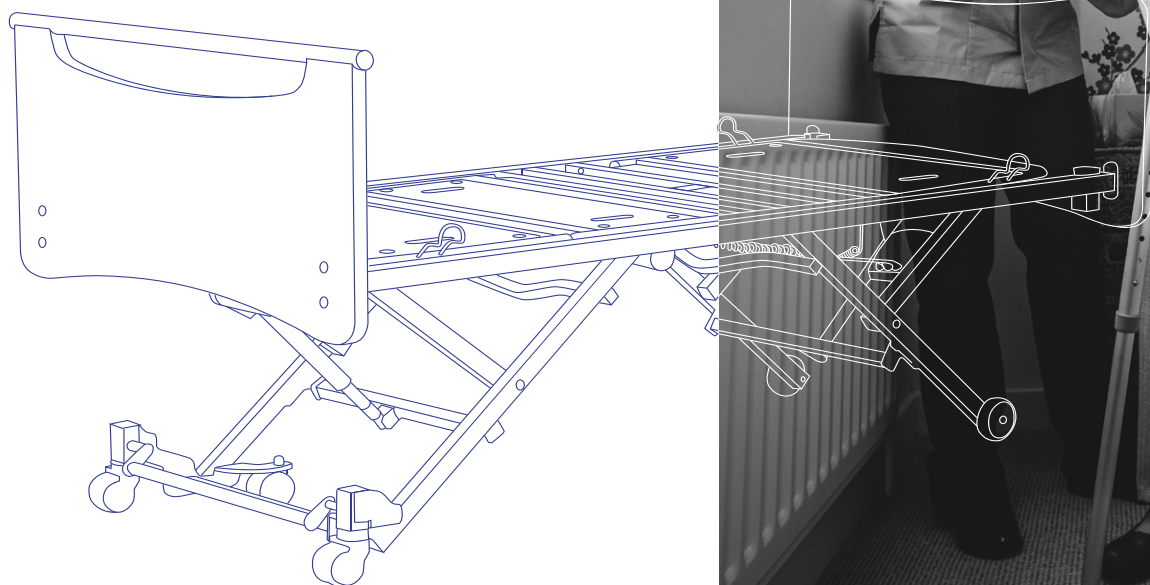
From being simply a bed in which to sleep, it has become a tool for the wellbeing of both residents and caretakers by contributing to preventing **musculoskeletal disorders**.



A RANGE OF BEDS FOR ALL TYPES OF PATIENTS

The average admitting age into EHPADs is increasing (**85 years and 9 months in France***) with patients having a high level of dependency. Likewise, EHPADs must offer the option of accommodating aging handicapped persons. There are also obese persons in our EHPADs.

* CNSA Les chiffres clés de l'aide à l'autonomie 2018.





A BED DESIGNED FOR THE COMFORT AND SAFETY OF THE RESIDENT



Armchair position

This position is accessible to residents at the touch of a button. It provides them with COMFORT and improves their general state of health by reducing the psychological impact of their confinement and the reduction in their mobility.



Programmable variable height

Being able to customize the height of the bed allows residents to safely get in and out of it. That will enable you to preserve the autonomy of your residents.



Permanent and automatic horizontality

Thanks to its DIGITAL control box (LINAK control box CO61) the inclination is managed automatically (no need to go back to the lowest or highest inclination).

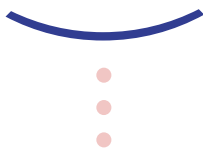
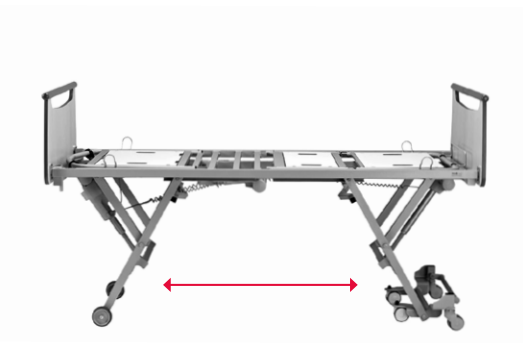


A BED DESIGNED FOR CAREGIVERS

Caregivers are faced with many constraints, which are further exacerbated by the fact that residents admitted to EHPADs are getting older. These residents are thus more dependent upon admission to a facility.

Consequently, the tasks of healthcare teams are no longer limited to caring for their patients.

Beds must be able to help caregivers during transfers, but also provide a simpler and easier access underneath.



The bed's design provides ample clearance for cleaning the floors and disinfecting the bed's surfaces, thus improving working **ERGONOMICS** and productivity.



THE -5° STOP HELPS WITH THE RESIDENT'S **ADJUSTMENT UPWARD**, which can be done by the caregiver.

CUSTOMIZE YOUR BED



Hidden wheels

They conceal the wheels that are characteristic to medical beds while preserving its functionalities (centralized braking, lateral displacement).



Hotel-like casing

The hotel-like casing has long, wider panels that harmoniously conceal the metal rails installed on medical beds.



Long universal panels

The “long universal panels” kit* hides the metal parts of the bed base.

It is also compatible with all bed panels.

* Available in pairs (1 on each side)



SAFETY AND AUTONOMY



4 metal/epoxy rails with 3 bars

Equipped with a fastening system to prevent improper installation, they are compliant with the spacing requirements of standard 60 601-2-52.



Full-length wooden rails

AVAILABLE IN 2 FINISHES:

- Polymer coating in light beech color.
- Varnished paint in any color from the color chart.



1/2 aluminum /wooden rails

They are equipped with a patented locking and unlocking system that guarantees patient safety.

3 HEIGHTS = 3 USES

- up position = restraint
- intermediate position = turning/straightening aid
- low position = getting in and out of the bed



Mobility aid system (SAM)

It is a system of bed accessories providing new functionalities to help with patients' mobility while at the same time reducing and facilitating the work of caregivers. SAM ACTIV or SAM ERGONOM, as needed.

Intellectual co-ownership

Winnicare France - Nîmes University Hospital
N°EP2617403
N°EP2617404



ACCESSORIES

Sound panel

Improve the quality of life for the residents and caregivers of your facility by limiting noise pollution from TV watching.

The sound is spread and absorbed evenly through the headboard and can be reduced by at least 20 decibels, while still maintaining excellent sound quality.



Footboard rails

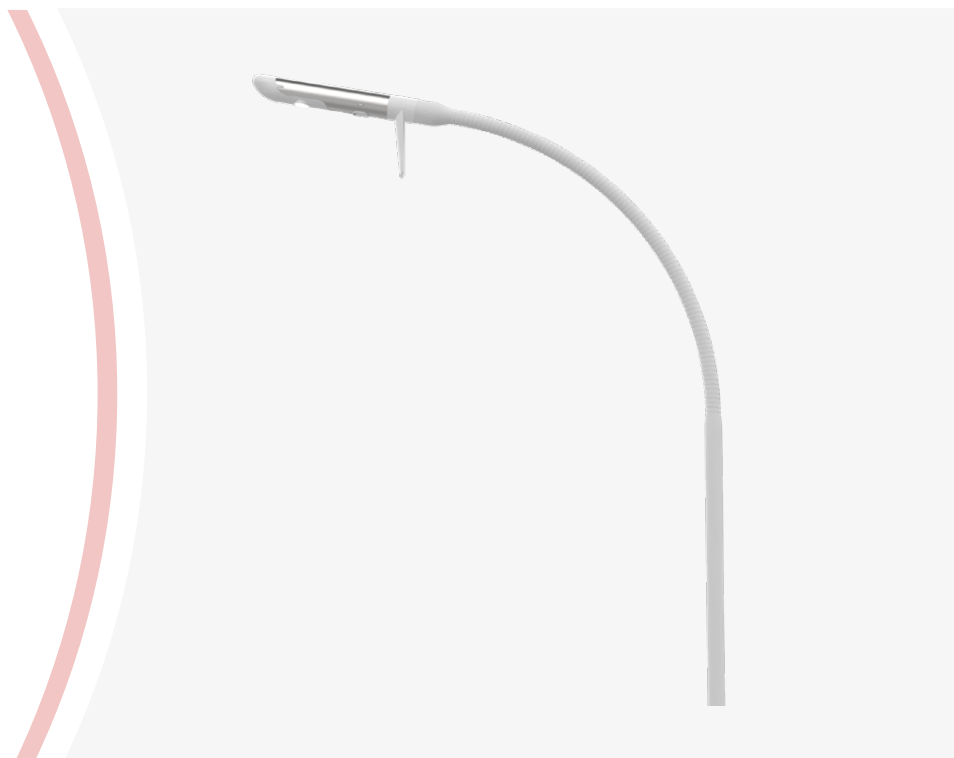
They occupy the space at the foot of the bed in order to have a means of restraint along the entire length of the bed.





Reading light

LED lamp on a flexible arm for reading in bed (to be placed in the stem of the IV stand).



Night light

This night light can be turned on with the backrest button and provides a light source under the bed.



TECHNICAL DETAILS

		AERYS® STANDARD	AERYS® CONFORT	AERYS® XXL
TECHNICAL DETAILS	Length	200 cm		
	Width	90 cm	100 cm	120 cm
	Maximum patient weight	165 kg	165 kg	270 kg
	CFS	200 kg	270 kg	305 kg
	Amplitude of height	25 à 80 cm	25 à 80 cm	25 à 72 cm
	Trendelenburg/reverse Trendelenburg	✓	✓	✓
	Standard programmable variable height	standard equipment		
	Permanent horizontality	standard equipment		

OPTIONS & ACCESSORIES

		AERYS® STANDARD	AERYS® CONFORT	AERYS® XXL
OPTIONS	Centralized braking	✓	✓	✓
	Multidirectional cart	✓	✓	
	Hidden wheels	✓	✓	
	Special frame colors	✓	✓	✓
ACCESSORIES	1/2 aluminum rails		✓	
	Wooden rails		✓	
	Footboard rail		✓	
	Built-in bed extension	✓		

COMPATIBILITY WITH THE PREVENTION AND HELP IN THE TREATMENT OF PRESSURE ULCERS RANGE

Our product line includes foam or dynamic air mattresses that are compatible with all three of our beds.



CONFIGURATOR

Using our interactive bed and room environment configuration tool, you can project yourself into your project in a realistic way.

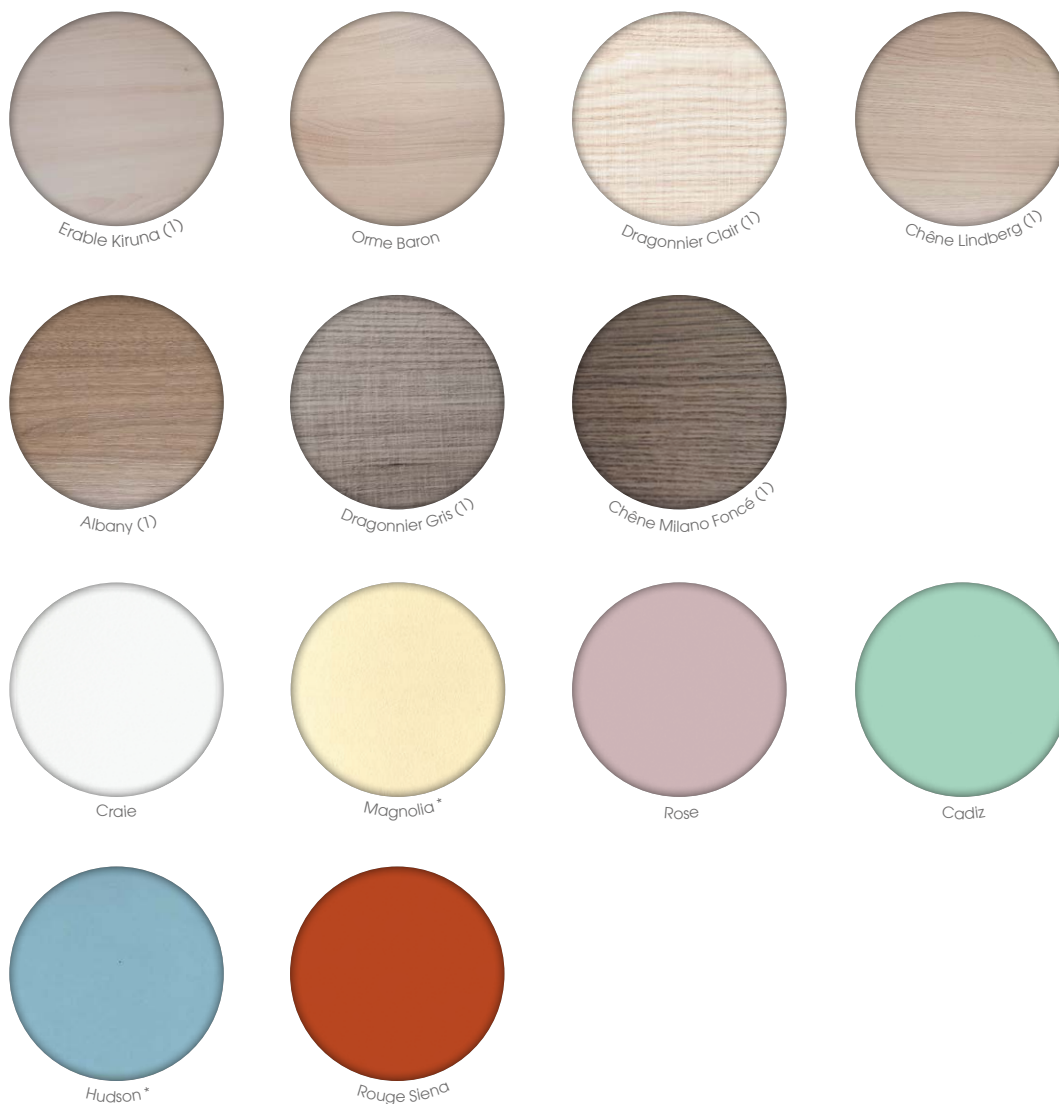
Do not hesitate to contact us to experience it for yourself.



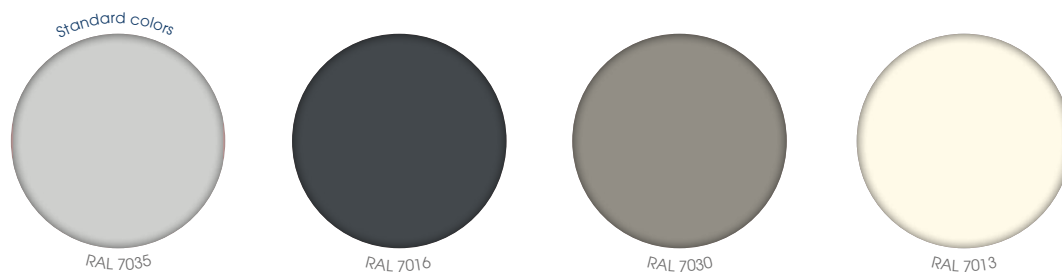
COLOR CHART

MELAMINE DECOR AND MATCHING EDGES

For bed panels and furniture



FOR BED PANELS AND FURNITURE



PANELS

MADÉLIA



- ▶ Interior decor Chêne Lindberg
- ▶ Surroundings ral 7030

ABÉLIA *



- ▶ Interior decor Chêne Lindberg
- ▶ Glued ABS edges, ral 7030
- ▶ Epoxy handrail ral 7030

CARMEN



Panneau tête

- ▶ Interior decor Chêne Lindberg
- ▶ Matching ABS edges



Panneau pied

- ▶ Interior decor Chêne Lindberg
- ▶ Matching ABS edges
- ▶ Epoxy handrail ral 7030



STYLIVIA *



Panneau tête

- ▶ Interior decor Chêne Lindberg
- ▶ Matching ABS edges



Panneau pied

- ▶ Interior decor Chêne Lindberg
- ▶ Matching ABS edges
- ▶ Epoxy handrail ral 7030



VAL DE VIE



- ▶ Interior decor Chêne Lindberg
- ▶ Surroundings ral 7030

AUZENCE



- ▶ Interior decor Chêne Lindberg
- ▶ Surroundings ral 7030

NOVIDA *



- ▶ Interior decor Chêne Lindberg
- ▶ Matching edges
- ▶ Same Foot and Head panel shape
- ▶ Different Foot and Head panel size



* Stylivia and Novida panels are designed to accommodate aluminum 1/2 rails only.
Abélia panels can be used for aluminum 1/2 rails as well as for the other accessories.



Your satisfaction is our only goal

OUR BEDS

have been designed and manufactured for over 40 years

 Vendée (85)



OUR MATTRESSES

have been designed and manufactured for over 30 years

 Gard (30)

Let's design your living spaces together! Our teams are at your disposal to meet your expectations, as closely as possible to your needs and tastes.

We are there to support you throughout your project and the life cycle of our products.

If you have a project, contact us:

+33 (0)4 66 02 15 15



[winncare.fr](https://www.winncare.fr)

