

NEW

# Embedded tracking

Overhead tracking: A world of tracks

## Primary application

Home care  
Nursing homes  
Hospital

Ergolet's overhead track systems: a world of flexible, rugged and easy to install tracks. Ergolet provides multiple track solutions to accommodate the varying and challenging needs in today's health care sector.

**NEW!** The latest addition to Ergolet's already extensive ceiling track programme, is an embedded 75 mm tracking profile, made from light, durable aluminium.

The embedded track profile is mounted into the ceiling becoming flush with the ceiling surface. This elegant profile is often a preferred choice by architects for specific building environments.

With the addition of the embedded profile Ergolet's customers have another tracking option to choose from to meet their installation requirements: be it Ergolet's traditional ceiling mounted profiles; our unique wall mounted E-track with its slim and discreet design; or our new embedded tracking profile.

Regardless of the demands on the system configuration, all the Ergolet tracks can work together to deliver a total solution, ensuring ease of installation, use and cost effectiveness, so put our tracking to the test.





Luna ceiling lift mounted directly in Ergolet's embedded track.



A traverse with Luna mounted onto Ergolet's embedded track.

Model	Item-number
Embedded track 75 mm - 2,5 m	016-01256
Embedded track 75 mm - 3,2 m	016-01255
Embedded track 75 mm - 4 m	016-01254
Embedded track 75 mm - 5 m	016-01253
Embedded track 75 mm - 7 m	016-01252
Embedded track 75 mm - 45° curved	016-01260
Embedded track 75 mm - 60° curved	016-01259
Embedded track 75 mm - 90° curved	016-01258

## TECHNICAL SPECIFICATION

Measurements of profile

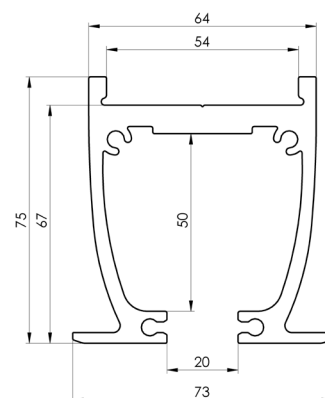
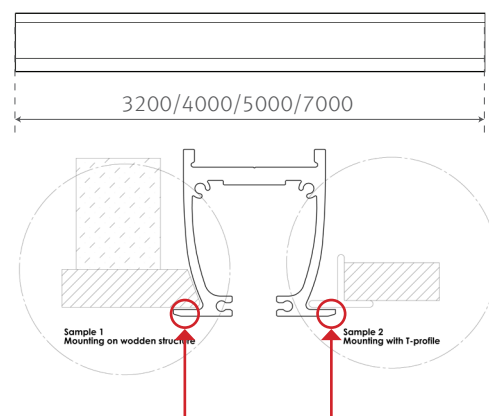
See drawings

Colour

Powder coated white RAL 9010

Mounting

Can be mounted into most materials



Note: 1mm distance between the track and the mounting surface.



Consult the Technical manual for further specifications. All figures and measurements are for guidance only and may differ in actual situations. Ergolet reserves the right to changes without notice.

Product photos may include accessories. Consult your dealer.



WinnCare Nordic ApS  
 Taarnborgvej 12C  
 4220 Korsoer  
 Denmark  
 tel. +45 70 27 37 20  
 e-mail: info@winncare.dk

