

WHEELCHAIR MARINA-ANFI

- **Great buoyancy and stability:** it has two floating armrests and of wide wheels that allow the displacement on any place (beaches, pools with ramp ...)
- **Comfortable and easy to use:** facilitates the transfer of people with reduced mobility for bathing or resting in a very comfortable.
- **Design and comfort:** made of high strength materials, easy to clean, disassembled and folded quickly for transport or storage.
- **Security:** must be used with the assistance of another person, respecting the safety precautions and current regulations.

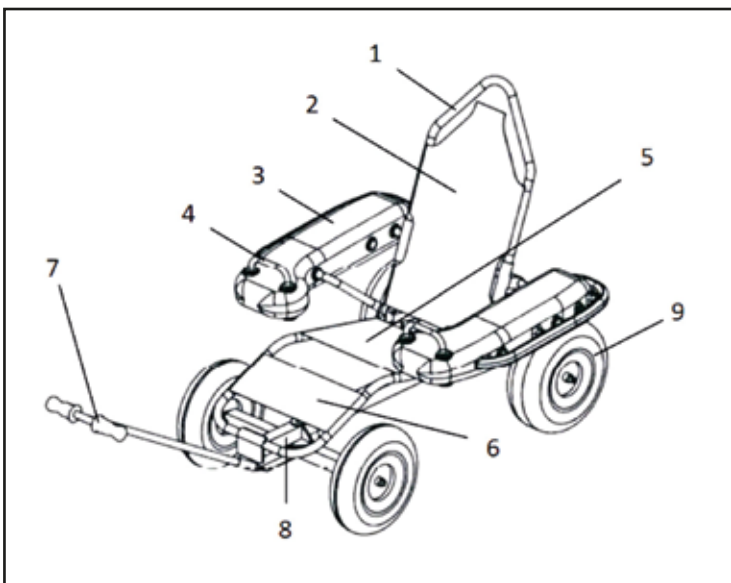


MAIN PARTS OF THE WHEELCHAIR



- The backrest and foot rest are mesh polyester, which favors:

- the outflow of water and sand.
- greater ventilation and comfort of the person sitting.



1. Accompanying handle
2. Backrest
3. Side floater
4. User handle
5. Seat
6. Foot rest
7. Traction bar
8. Carry structure
9. Wheels

TECHNICAL CHARACTERISTICS

PRODUCT	REFERENCE	SIZES IN MM	WEIGHT OF CHAIR	MAXIMUM WEIGHT OF THE USER	MATERIALS	BACKREST AND SEAT	WHEELS	
MARINA ANFI	102605012	1230x1200x2600	31,7 kg	130 kg	Aluminum Stainless steel	Polyester fiber coated with PVC	Diameter 380 mm.	Inflation pressure 2 kg/cm ²
		640x560x1220			Polyethylene Polyurethane			

Conforms to standards :
UNE-EN 12182
UNE-EN 12183
Directive 93-42-CEE

2 years warranty

WinnCare Spain. Ctra. Masía del Juez, 37b – 46909 Torrente (Valencia) – Spain
Ph: +34 9 61 56 55 21 – Fax: +34 9 61 56 03 83 – E-mail: ventas@winnCare.es

www.winnCare.es

With a focus on the continuous improvement of its products, WINNCARE GROUP reserves the right to modify technical characteristics without prior notice. - Non-contractual photos.

Fabricado por



WINNCARE
S p a i n

